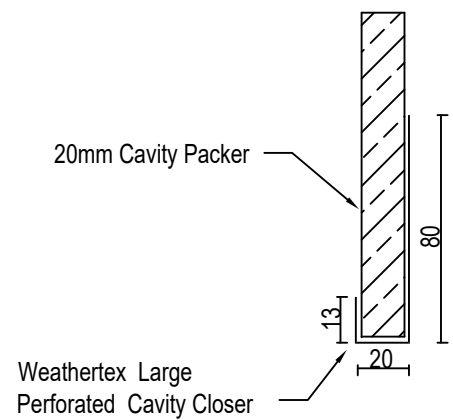
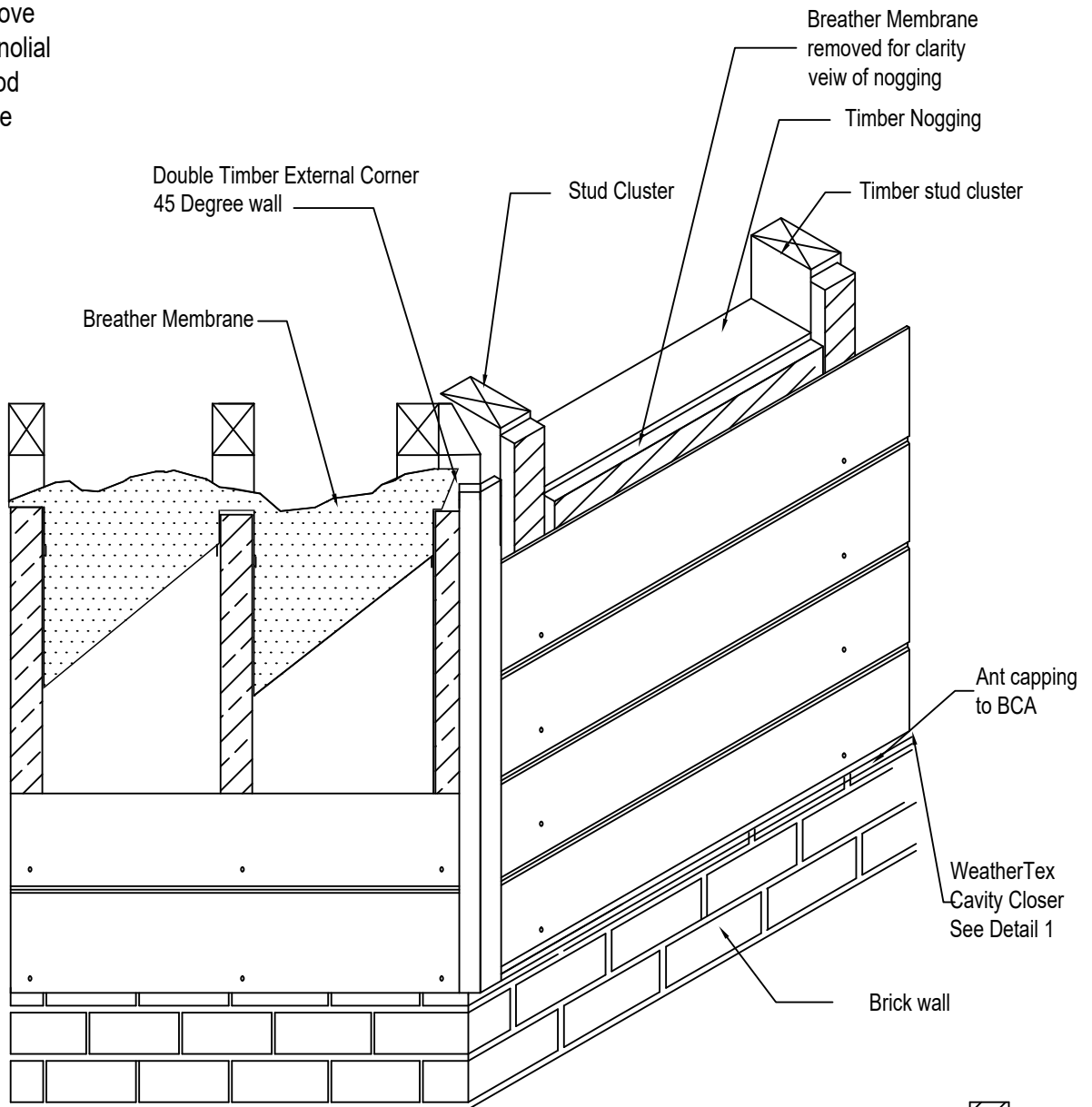


Weathertex Products  
 Selflok Weatherboards  
 Millwood  
 Ecogroove  
 Old Conolial  
 Texwood  
 Vgroove

## EXTERNAL TIMBER CORNER WITH 45 DEGREE WALL DETAIL



**Detail 1**

**WEATHERTEX**

Project Description

**SWBCF-NZ-6D**

Drawing Name

**EXTERNAL TIMBER CORNER WITH 45 DEGREE WALL DETAIL**

**WeatherBoards  
Cavity Fix Construction**

Drawn By  
Craig Harvey

Checked By

Date

**02-03-2014**

Scale

**NTS**

Am No

**A**