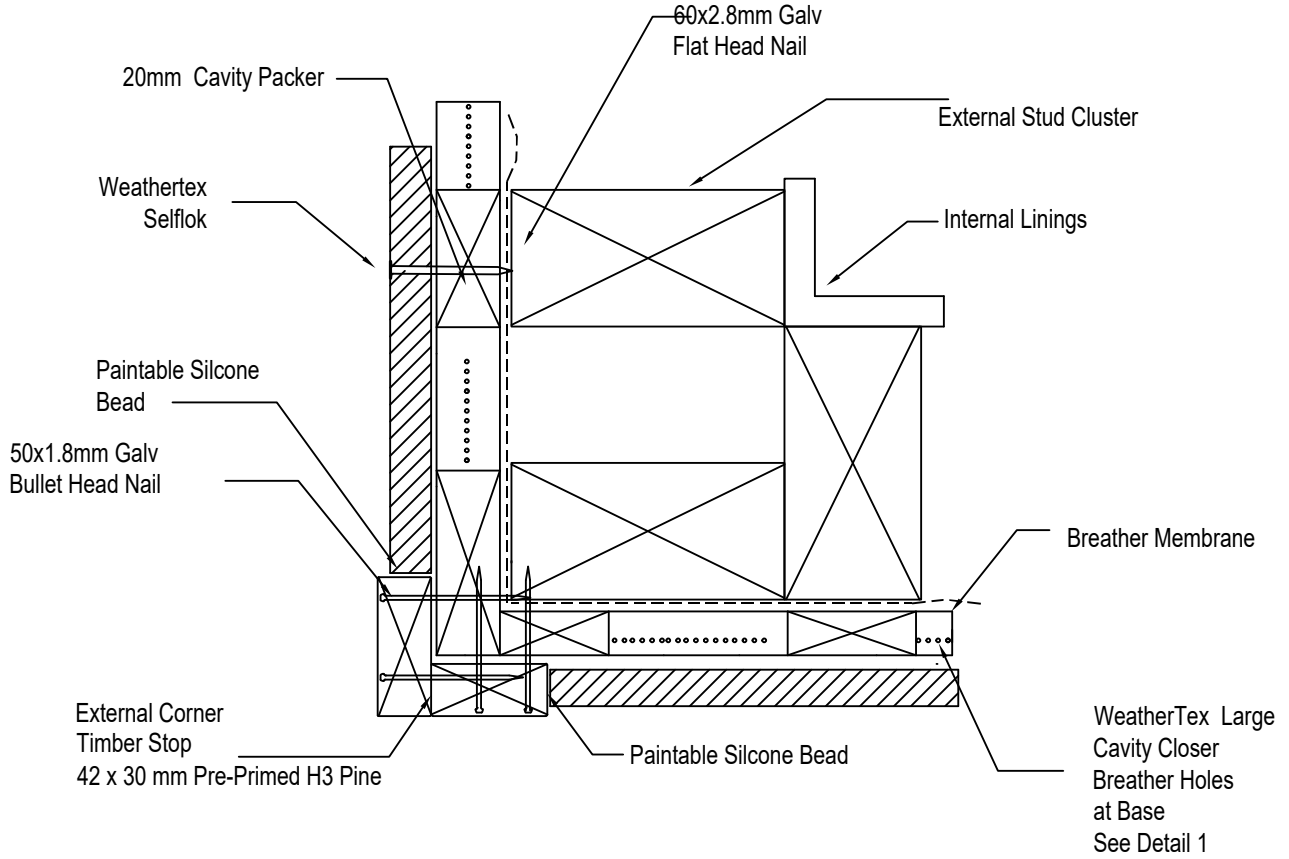


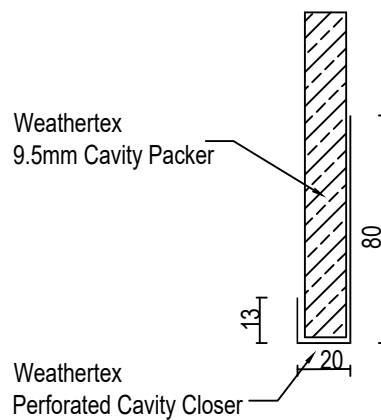
Timber Notes

All timber stops internal or external  
Should be Pre-Primed H3 Pine

**DOUBLE TIMBER  
EXTERNAL CORNER**



WeatherTex Products  
Selflok Weatherboards  
Millwood  
Ecogroove  
Old Conolial  
Texwood  
Vgroove



**Detail 1**

**WEATHERTEX**

**WeatherBoards  
Cavity Fix Construction**

Project Description

**SWBCF-NZ-4**

Drawing Name

**DOUBLE TIMBER  
EXTERNAL CORNER**

Drawn By

Craig Harvey

Checked By

Date

**02-03-2014**

Scale

**NTS**

Am No

**A**