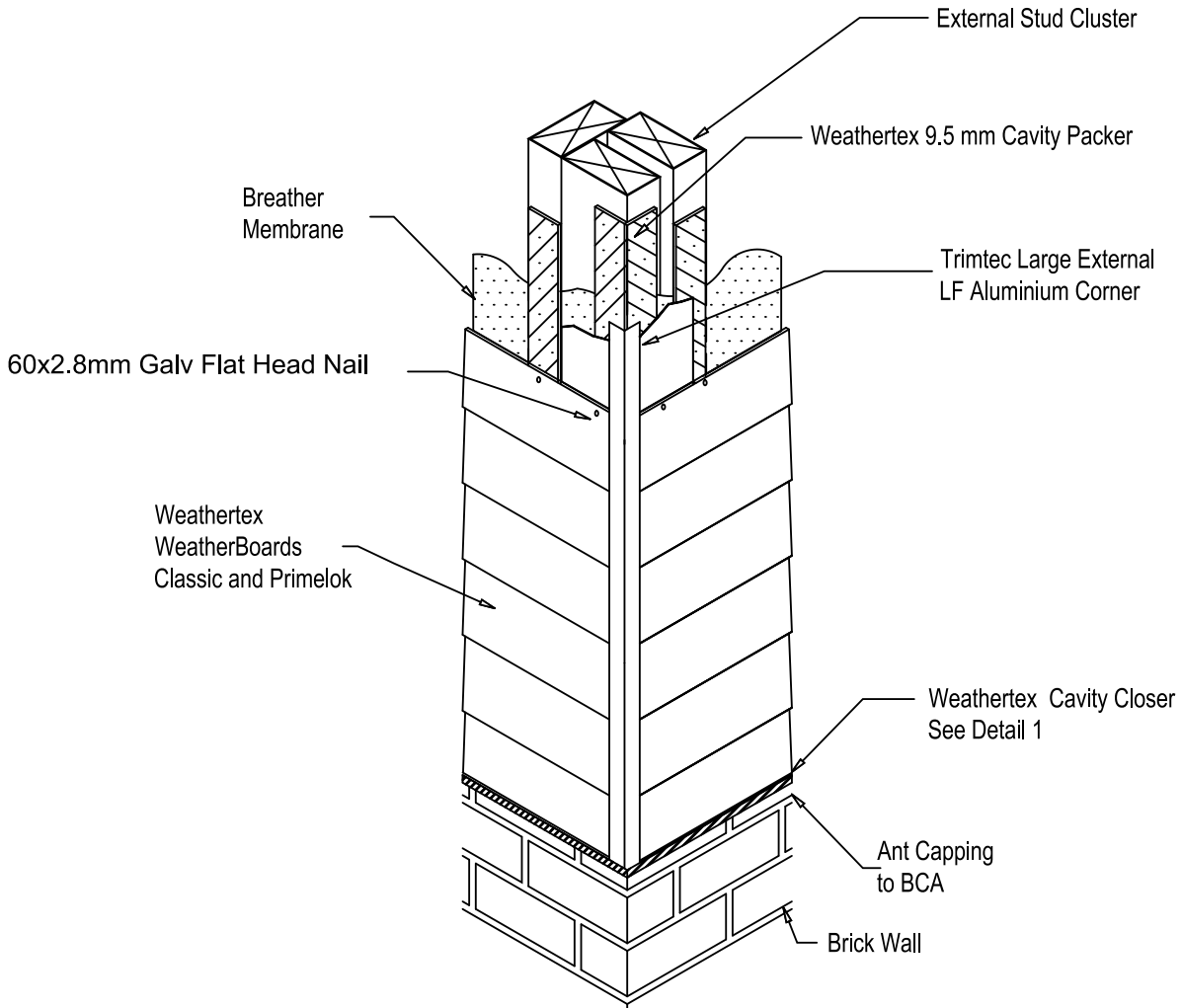
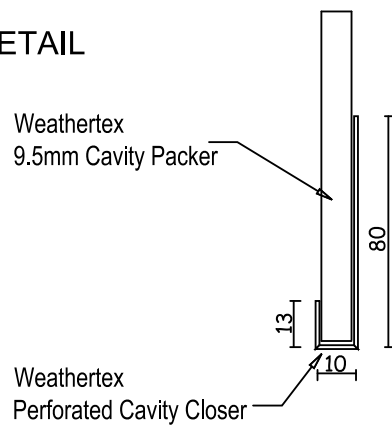
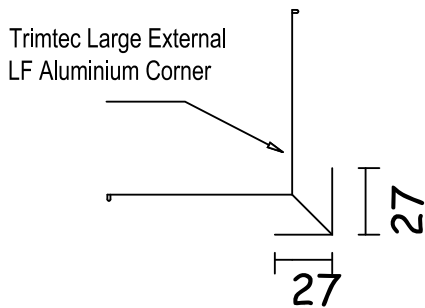


Weathertex Products
 Primelok Classic 200
 Rusticated
 Braidwood
 Federation
 Shadowood

TRIMTEC LARGE EXTERNAL LF ALUMINIUM CORNER



EXTERNAL CORNER DETAIL



Detail 1

WEATHERTEX

Project Description
WBCF-2

Drawing Name

**WeatherBoards
Cavity Fix Construction**

Drawn By
Craig Harvey

Checked By
Dave Simpson

Date
06-05-2013

Scale
NTS

Amm No
A