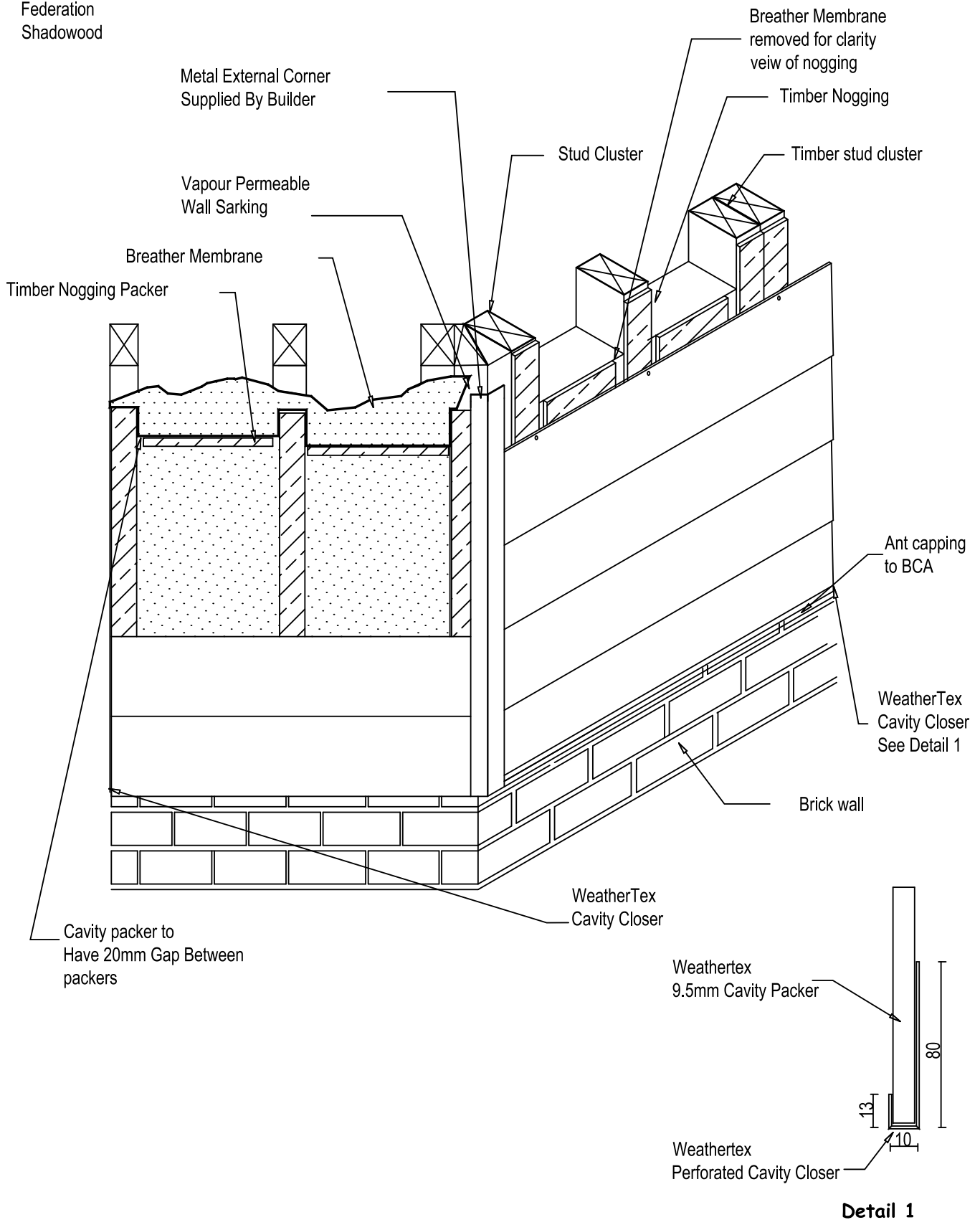


Weathertex Products

Primelok Classic 200  
Rusticated  
Braidwood  
Federation  
Shadowood

# EXTERNAL METAL CORNER WITH 45 DEGREE WALL DETAIL



**WEATHERTEX**

Project Description

**WBCF-6C**

Drawing Name

**EXTERNAL METAL CORNER WITH  
45 DEGREE WALL DETAIL**

**WeatherBoards  
Cavity Fix Construction**

Drawn By  
Craig Harvey

Checked By  
Dave Simpson

Date  
**06-05-2013**

Scale  
**NTS**

Amn No  
**A**

